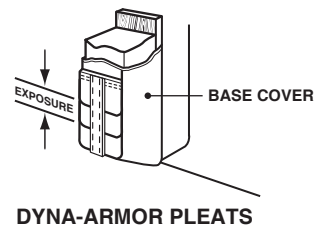
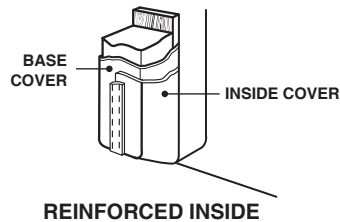
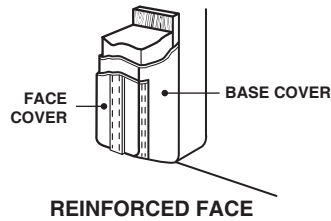
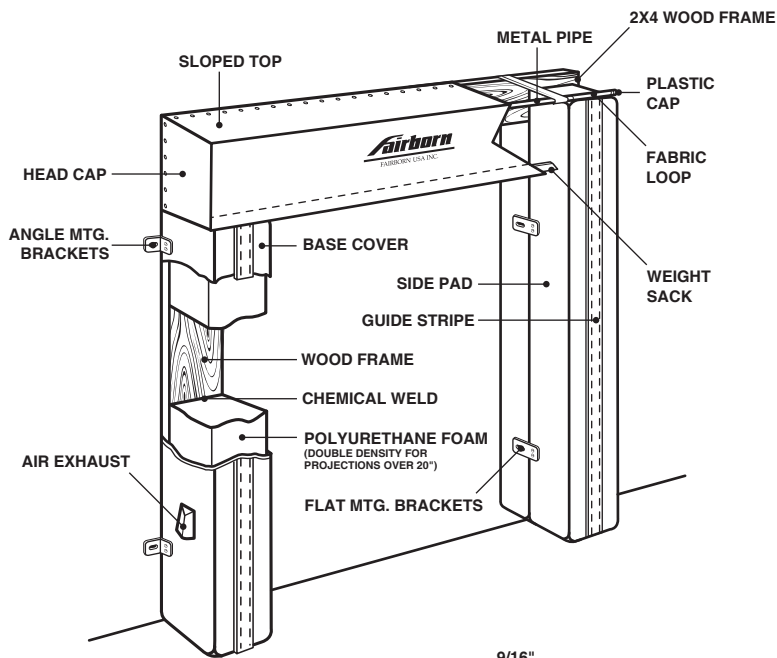
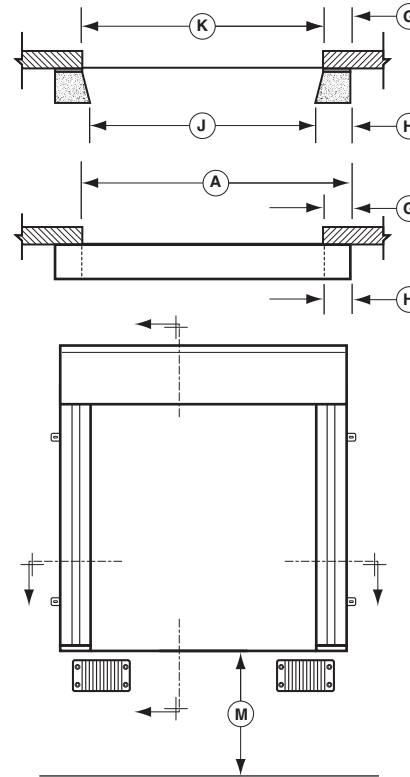


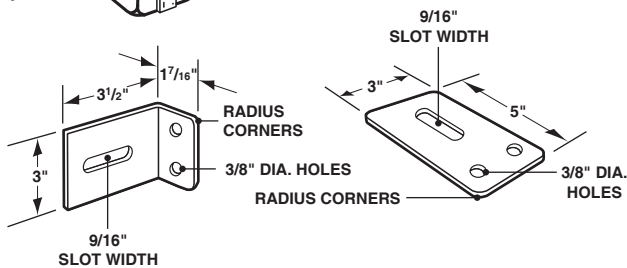
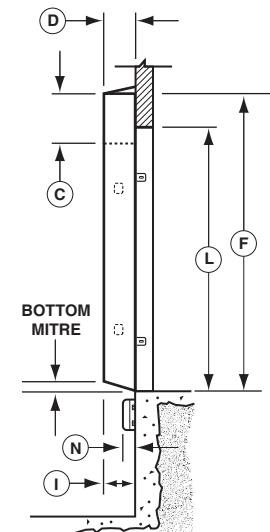
**SERIES 1400**  
**HEAD CAP TYPE**  
**DOCK SEAL**



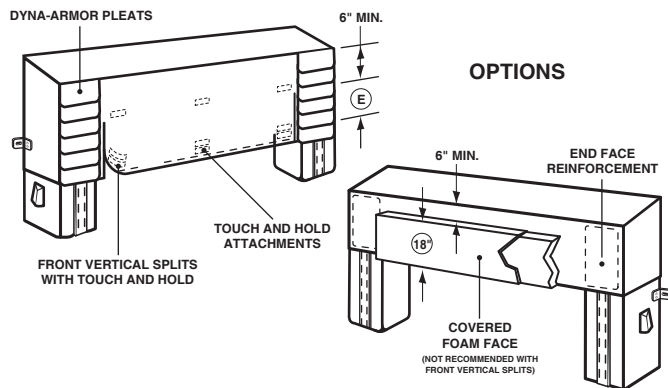
4" EXPOSURE  
 8" EXPOSURE  
 16" EXPOSURE



**BEVELED SIDE PADS**



**ANGLE AND FLAT MOUNTING BRACKETS**



**OPTIONS**

**HEAD CAP DATA**

\_\_\_\_ "A" WIDTH  
 \_\_\_\_ "C" HEIGHT AT FACE  
 \_\_\_\_ "D" TOTAL PROJECTION  
 \_\_\_\_ BASE FABRIC  
 \_\_\_\_ COLOR

END FACE REINFORCEMENT  
 \_\_\_\_ FABRIC  
 \_\_\_\_ COLOR  
 DYNA-ARMOR ENDS  
 \_\_\_\_ FABRIC  
 \_\_\_\_ COLOR  
 \_\_\_\_ "E" SPLIT HEIGHT  
 (C-6"= MAX. SPLIT)

FRONT VERTICAL SPLITS  
 \_\_\_\_ "E" SPLIT HEIGHT  
 (C-6"= MAX. SPLIT)  
 TOUCH AND HOLD ATTACHMENT  
 ROPE/PULLEY SYSTEM

COVERED FOAM FACE  
 4" THICK X 18" HIGH X  
 "J" SIDE PAD FACE I.D.

**SIDE PAD DATA**

\_\_\_\_ "F" LENGTH AT REAR  
 \_\_\_\_ "G" WIDTH AT REAR  
 \_\_\_\_ "H" WIDTH AT FACE  
 \_\_\_\_ "D" TOTAL PROJ. AT TOP  
 \_\_\_\_ "I" TOTAL PROJ. AT BOTTOM  
 \_\_\_\_ "J" SIDE PAD FACE I.D.  
 \_\_\_\_ BASE FABRIC  
 \_\_\_\_ COLOR  
 BLOCKOUT (IF REQUIRED)  
 PROJ: \_\_\_\_ TOP \_\_\_\_ BOTTOM  
 \_\_\_\_ FABRIC  
 \_\_\_\_ COLOR

FACE REINFORCEMENT  
 \_\_\_\_ FABRIC  
 \_\_\_\_ COLOR

INSIDE EDGE REINFORCEMENT  
 \_\_\_\_ FABRIC  
 \_\_\_\_ COLOR  
 DYNA-ARMOR PLEATS  
 \_\_\_\_ FABRIC  
 \_\_\_\_ COLOR  
 \_\_\_\_ "PLEAT EXPOSURE"  
 FORMED STEEL BACK  
 PAINTED  GALVANIZED  
 NON-ROT BACK

**GENERAL INFORMATION**

\_\_\_\_ "K" DOOR WIDTH  
 \_\_\_\_ "L" DOOR HEIGHT  
 \_\_\_\_ "M" DOCK HEIGHT  
 \_\_\_\_ "N" DOCK BUMPER/LEDGE  
 COMBINED PROJECTION

**DRIVE APPROACH:**

LEVEL  DECLINED  INCLINED

FB- \_\_\_\_ QTY. \_\_\_\_ SHEET \_\_\_\_ OF \_\_\_\_



P.O. BOX 151 • 205 BROADVIEW STREET  
 UPPER SANDUSKY, OHIO 43351  
 800-262-1188 • 419-294-4987 • FAX: 419-294-4980  
 VISIT US AT [WWW.FAIRBORNUA.COM](http://WWW.FAIRBORNUA.COM)

**JOB:**

**LOCATION:**

**CONTRACTOR:**

**ARCHITECT:**

**APPROVED BY SIGNATURE:**