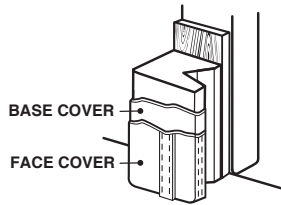
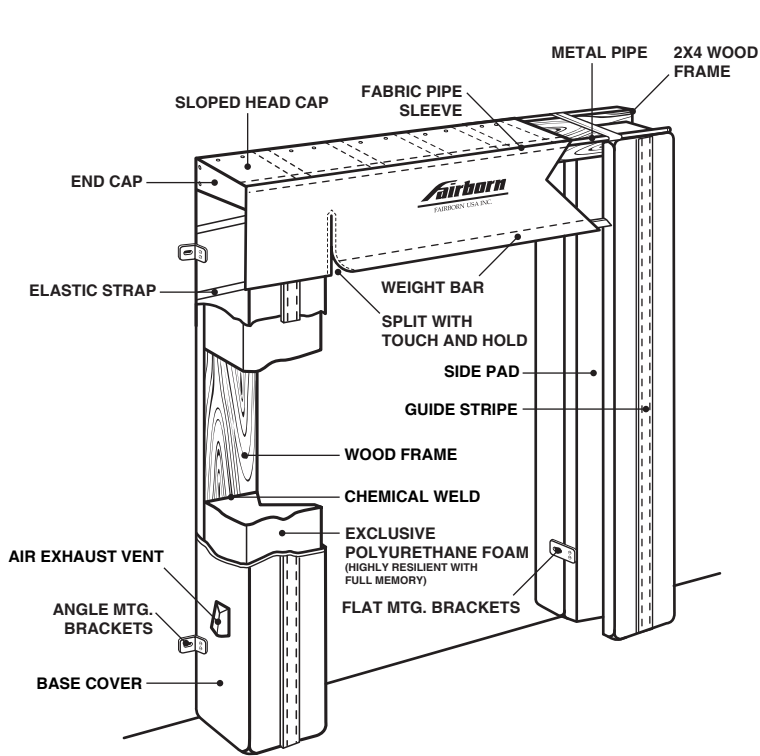
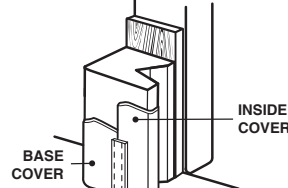


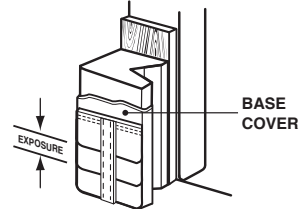
SERIES 1400L
HEAD CAP TYPE
DOCK SEAL



REINFORCED FACE

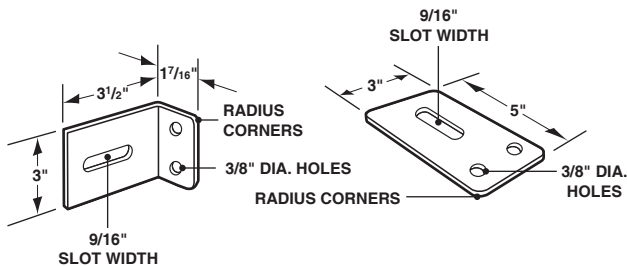
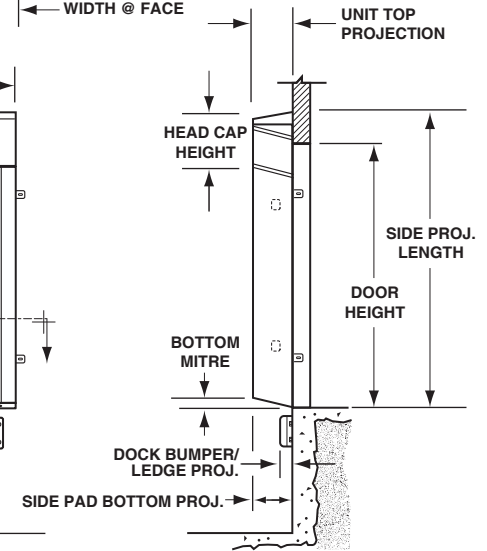
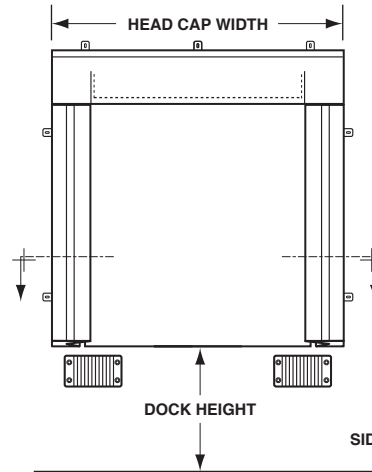
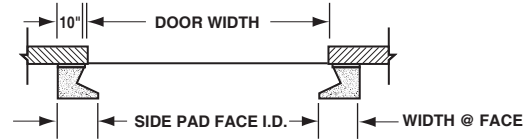


REINFORCED INSIDE

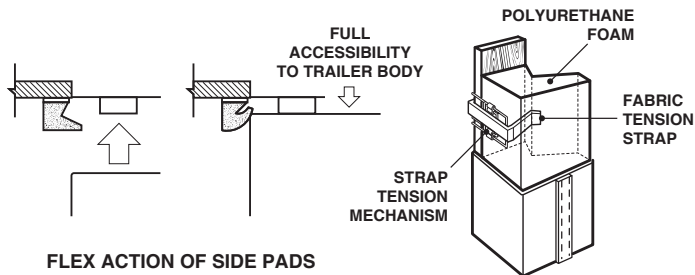


DYNA-ARMOR PLEATS

- SIDE PADS**
- 4" EXPOSURE
 - 8" EXPOSURE
 - 16" EXPOSURE




ANGLE AND FLAT MOUNTING BRACKETS



FLEX ACTION OF SIDE PADS SHOWN AS TRAILER BODY ENTERS DOCK

SIDE PAD COVER SUPPORT (ASSEM. - TYP. 6 PLACES @ PAD)

<p>HEAD CAP DATA</p> <p>____ WIDTH</p> <p>____ TOTAL PROJECTION</p> <p>____ VERTICAL DROP</p> <p>____ BASE FABRIC</p> <p>____ COLOR</p>	<p>SIDE PAD DATA</p> <p>____ LENGTH AT REAR</p> <p>____ WIDTH AT REAR</p> <p>____ WIDTH AT FACE</p> <p>____ TOTAL PROJ. AT TOP</p> <p>____ TOTAL PROJ. AT BOTTOM</p> <p>____ SIDE PAD FACE I.D.</p> <p>____ BASE FABRIC</p> <p>____ COLOR</p>	<p><input type="checkbox"/> DYNA-ARMOR PLEATS</p> <p>____ FABRIC</p> <p>____ COLOR</p> <p>____ "PLEAT EXPOSURE"</p> <p><input type="checkbox"/> FORMED STEEL BACK</p> <p><input type="checkbox"/> PAINTED <input type="checkbox"/> GALVANIZED</p> <p><input type="checkbox"/> NON-ROT BACK</p>	<p>GENERAL INFORMATION</p> <p>____ DOOR WIDTH</p> <p>____ DOOR HEIGHT</p> <p>____ DOCK HEIGHT</p> <p>____ DOCK BUMPER/LEDGE</p> <p>____ COMBINED PROJECTION</p> <p>____ DISTANCE BETWEEN DOORS</p> <p>____ CLEARANCE ABOVE DOOR</p> <p>DRIVE APPROACH: <input type="checkbox"/> LEVEL</p> <p><input type="checkbox"/> DECLINE ___" IN ___' <input type="checkbox"/> INCLINE ___" IN ___'</p>
<p>FB- ____ QTY. ____ SHEET ____ OF ____</p>			
<p align="center">  Fairborn® FAIRBORN USA INC. </p> <p align="right"> P.O. BOX 151 • 205 BROADVIEW STREET UPPER SANDUSKY, OHIO 43351 800-262-1188 • 419-294-4987 • FAX: 419-294-4980 VISIT US AT... WWW.FAIRBORNUSA.COM </p>			
<p>JOB: _____</p>			
<p>LOCATION: _____</p>			
<p>CONTRACTOR: _____</p>		<p>ARCHITECT: _____</p>	
<p>APPROVED BY SIGNATURE: _____</p>			