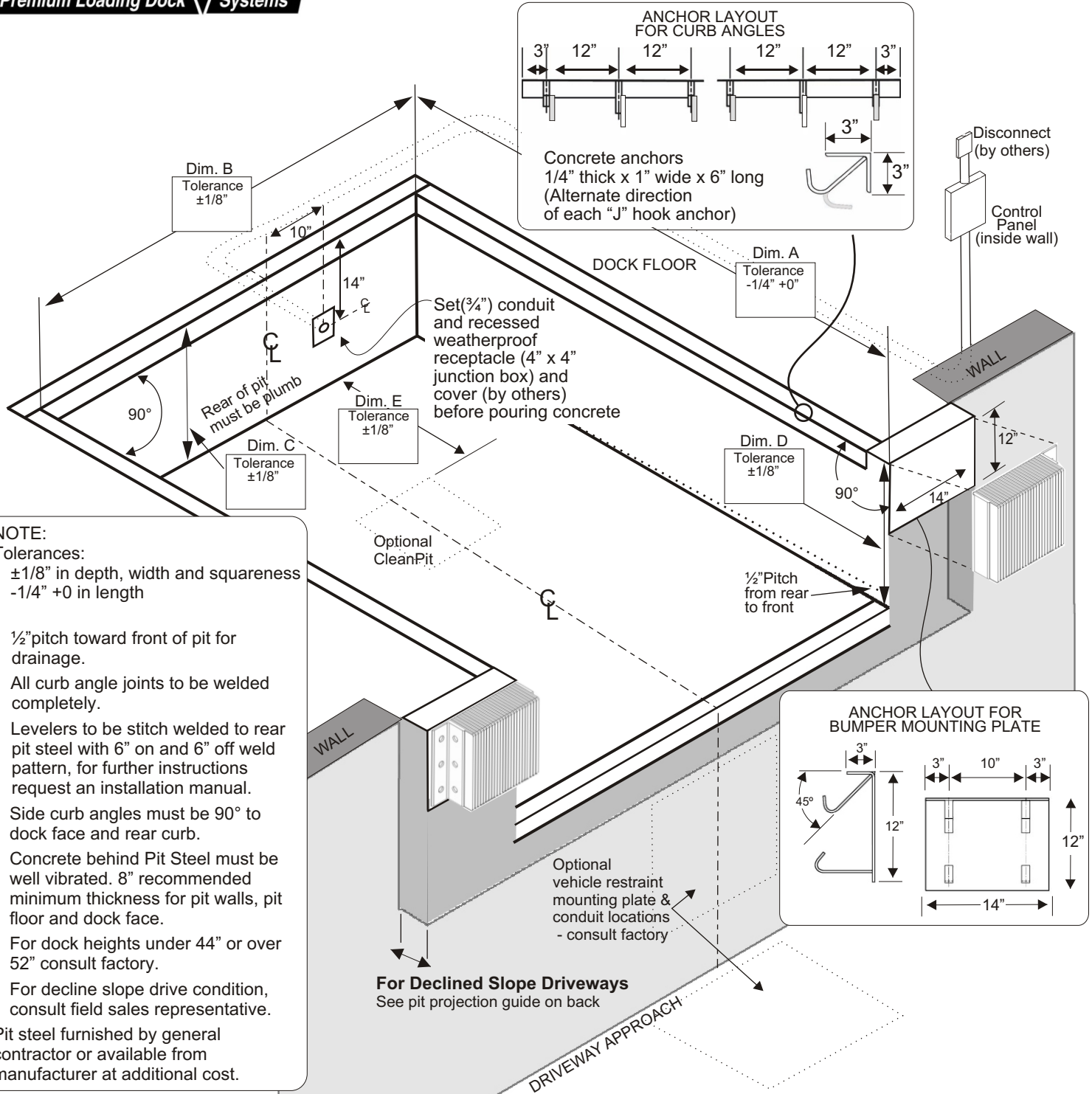


PIT DETAIL FOR PR SERIES HYDRAULIC DOCK LEVELERS



NOTE:
Tolerances:
±1/8" in depth, width and squareness
-1/4" +0 in length

- 1/2" pitch toward front of pit for drainage.
- All curb angle joints to be welded completely.
- Levelers to be stitch welded to rear pit steel with 6" on and 6" off weld pattern, for further instructions request an installation manual.
- Side curb angles must be 90° to dock face and rear curb.
- Concrete behind Pit Steel must be well vibrated. 8" recommended minimum thickness for pit walls, pit floor and dock face.
- For dock heights under 44" or over 52" consult factory.
- For decline slope drive condition, consult field sales representative.

Pit steel furnished by general contractor or available from manufacturer at additional cost.

Customer: _____	Certified For Construction:
Job: _____	By: _____
Location: _____	Date: _____
Qty: _____	Company: _____
Model/Size: _____	City & State: _____
Capacity: _____	Voltage/Phase: _____
Represented By: _____	Drawing #: _____
Sales Representative: _____	

Pit dimensional tolerances are $\pm 1/8"$ in depth, width and squareness, $-1/4" +0"$ in length.
 POWERAMP/Systems, Inc. assume no liability for deviations beyond this tolerance.

Leveler Size	Dimensions below are for all PR Series, pit type hydraulic levelers of 30M to 120M industry rated capacities									
	Contractors Bill Of Material					Nominal Pit Dimensions				
	Curb Angles 1/4" x 3" x 3"			Mounting Plates 1/4" Thick		Dim. "A" Length	Dim. "B" Width	Dim. "C" Depth (rear)	Dim. "D" Depth (front)	Dim. "E" CleanPit
	Front (Qty 1)	Rear (Qty 1)	Side (Qty 2)	Bumper Embed (Qty 2)	*CleanPit Embed (Qty 1)					
6' x 6'	74"	80"	60"	3" x 12" x 14"	16" x 16"	63"	74"	23 1/2"	24"	14 1/2"
6.5' x 6'	80"	86"	60"	3" x 12" x 14"	16" x 16"	63"	80"	23 1/2"	24"	14 1/2"
7' x 6'	85"	91"	60"	3" x 12" x 14"	16" x 16"	63"	85"	23 1/2"	24"	14 1/2"
6' x 8'	74"	80"	84"	3" x 12" x 14"	16" x 16"	87"	74"	23 1/2"	24"	26"
6.5' x 8'	80"	86"	84"	3" x 12" x 14"	16" x 16"	87"	80"	23 1/2"	24"	26"
7' x 8'	85"	91"	84"	3" x 12" x 14"	16" x 16"	87"	85"	23 1/2"	24"	26"
6' x 10'	74"	80"	108"	3" x 12" x 14"	16" x 16"	111"	74"	23 1/2"	24"	34"
6.5' x 10'	80"	86"	108"	3" x 12" x 14"	16" x 16"	111"	80"	23 1/2"	24"	34"
7' x 10'	85"	91"	108"	3" x 12" x 14"	16" x 16"	111"	85"	23 1/2"	24"	34"
6' x 12'	74"	80"	132"	3" x 12" x 14"	16" x 16"	135"	74"	23 1/2"	24"	Consult Manufacturer
6.5' x 12'	80"	86"	132"	3" x 12" x 14"	16" x 16"	135"	80"	23 1/2"	24"	
7' x 12'	85"	91"	132"	3" x 12" x 14"	16" x 16"	135"	85"	23 1/2"	24"	

*Weldment is required ONLY for clean pit style leveler.

Optional Bumper Plates - in lieu of above

- 11" wide x 20" high (Qty 2)
- 11" wide x 24" high (Qty 2)
- Other Bumper Embed _____ (Qty 2)

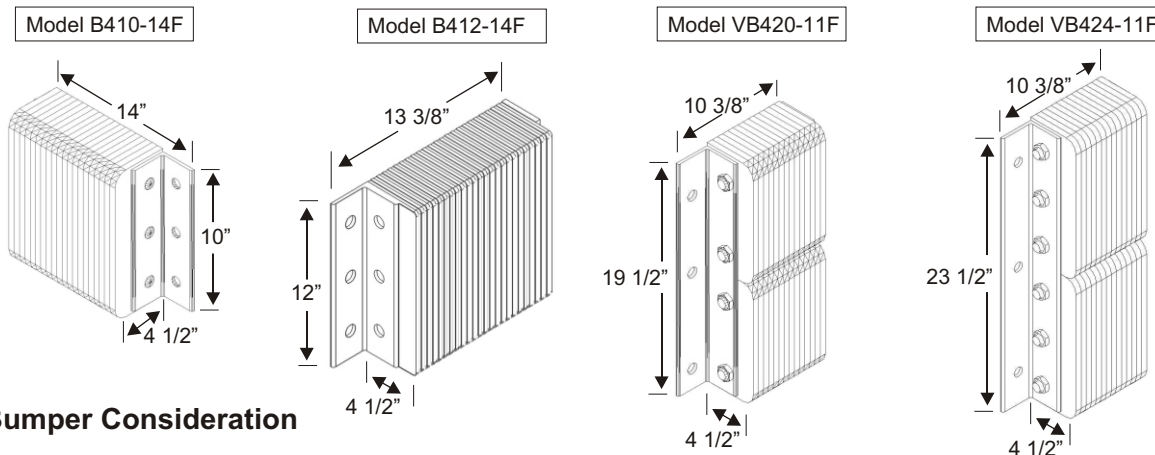
Pit Projection Guide for Decline Slope Driveways

Percentage Of Grade = $\frac{\text{Rise of Driveway}}{\text{Driveway Length}}$

% of Driveway Grade	0%	1%	2%	3%	4%	5%	6%	7%	8%	9%	10%
Pit Projection *Excludes Bumper Projection	0"	3"	4"	5"	6"	7"	8"	9"	10"	11"	12"

NOTE: Projection of pit may require modifications to seals and shelters. Coordinate with supplier if required.

Bumper Layout



Bumper Consideration

- 2 Model B410-14F laminated bumpers
 - Optional - 6" Projection
 - Optional - Steel face
- 2 Model B412-14F laminated bumpers
 - Standard on PR Series**
 - Optional - 6" Projection
 - Optional - Steel face
- 2 Model VB420-11F laminated bumpers
 - Optional - 6" Projection
 - Optional - Steel face
- 2 Model VB424-11F laminated bumpers
 - Optional - 6" Projection
 - Optional - Steel face
- Other: _____